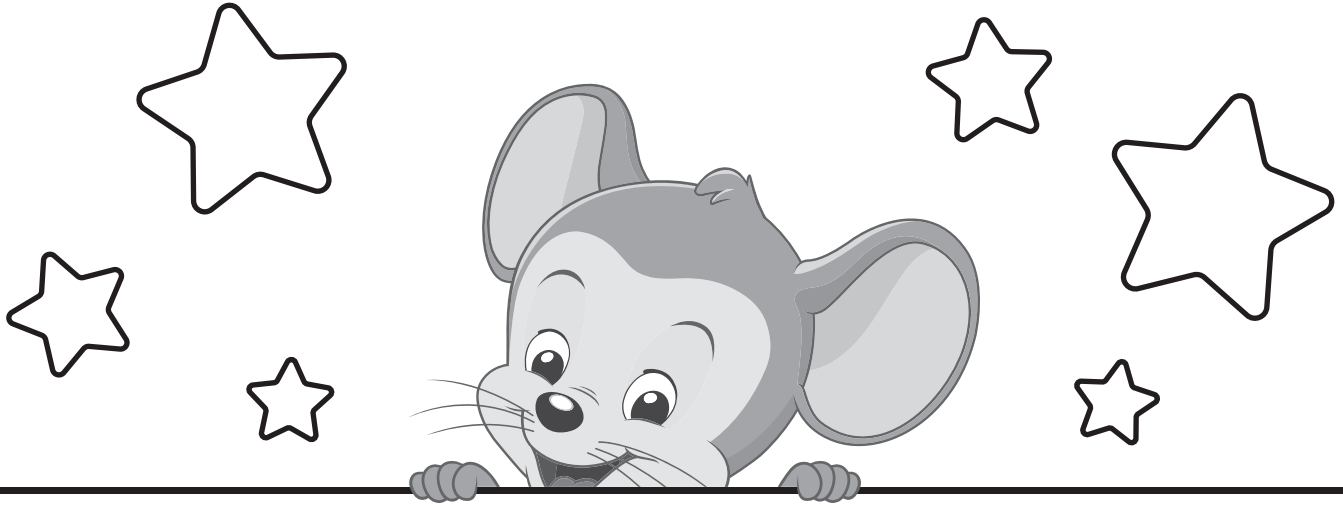


ABCmouse.com[®]

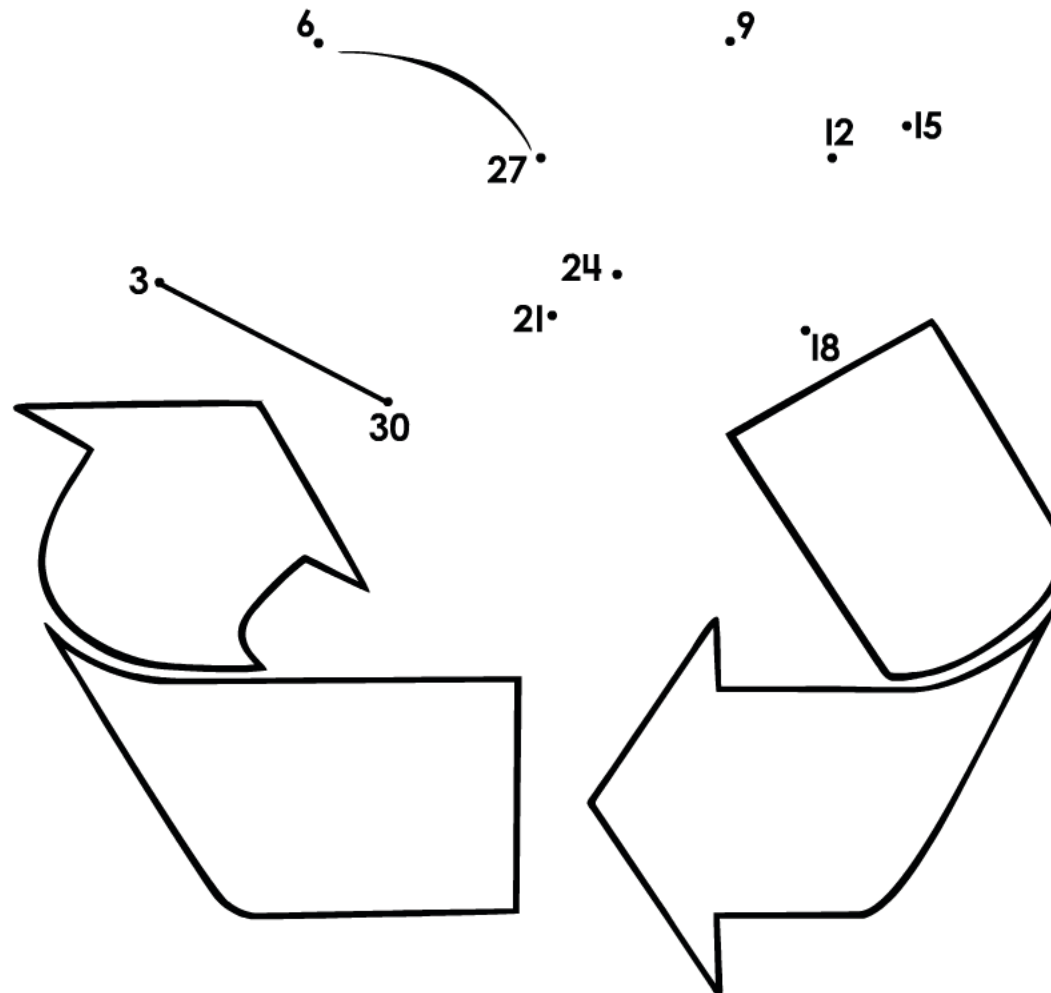


Skip Counting by 3s Worksheets

Name _____

Numbers Dot-to-Dot
Counting by 3s from 3 – 30: Earth Day

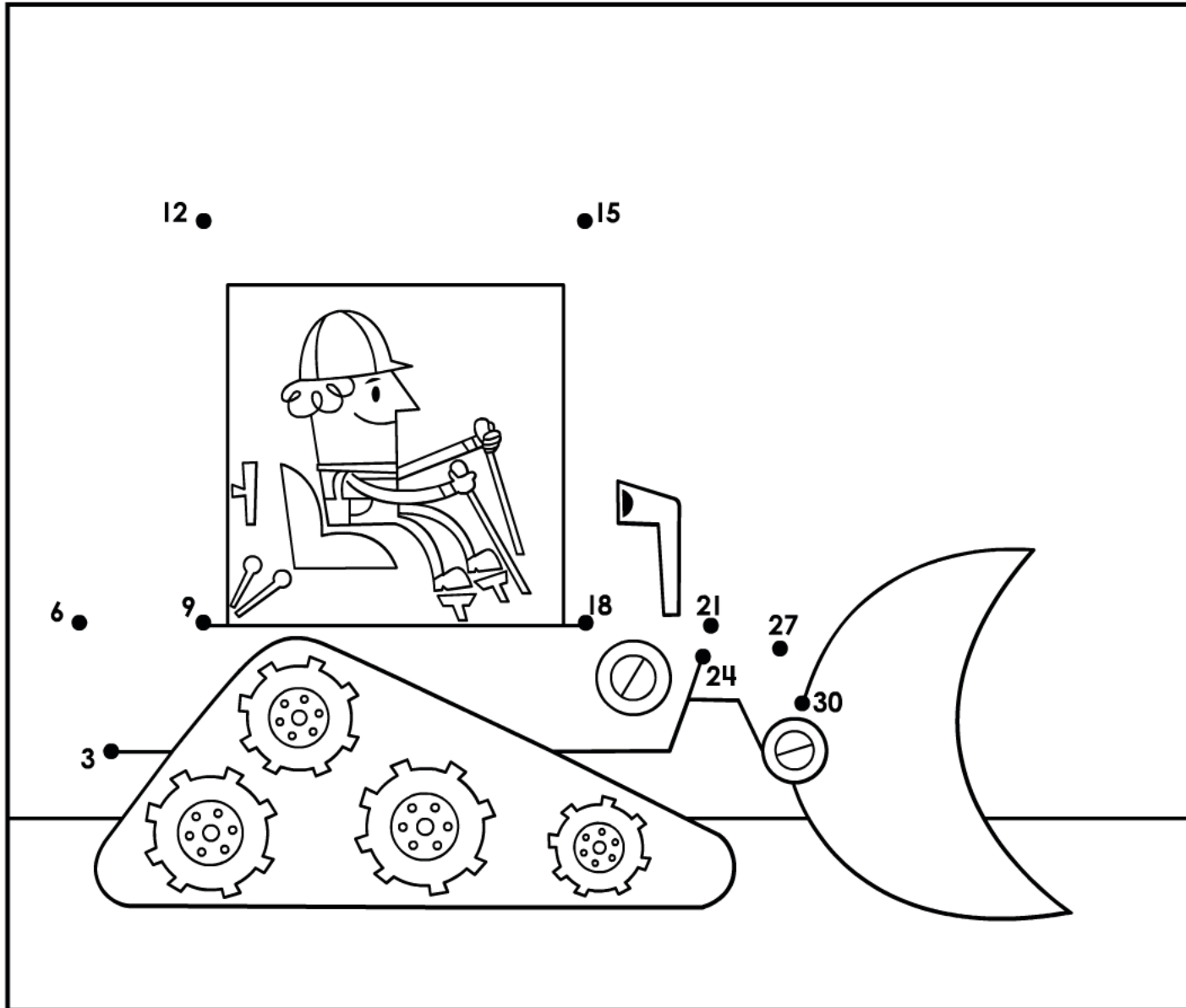
Reuse, Reduce, Recycle



Name _____

Numbers Dot-to-Dot

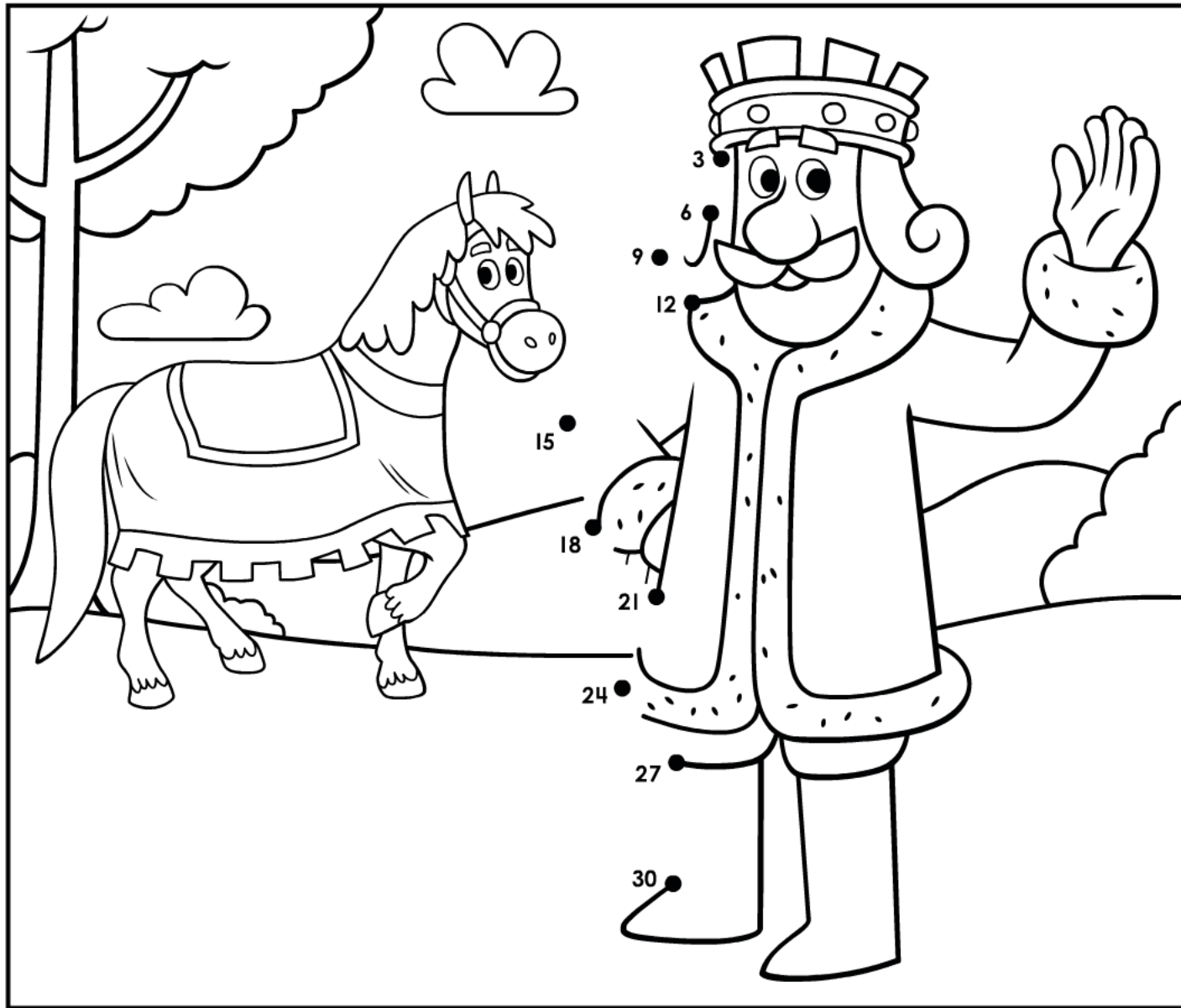
Counting by 3s from 3–30: Let's Build It!



Name _____

Numbers Dot-to-Dot

Counting by 3s from 3-30: Grammar Kingdom



Name _____

Numbers Dot-to-Dot

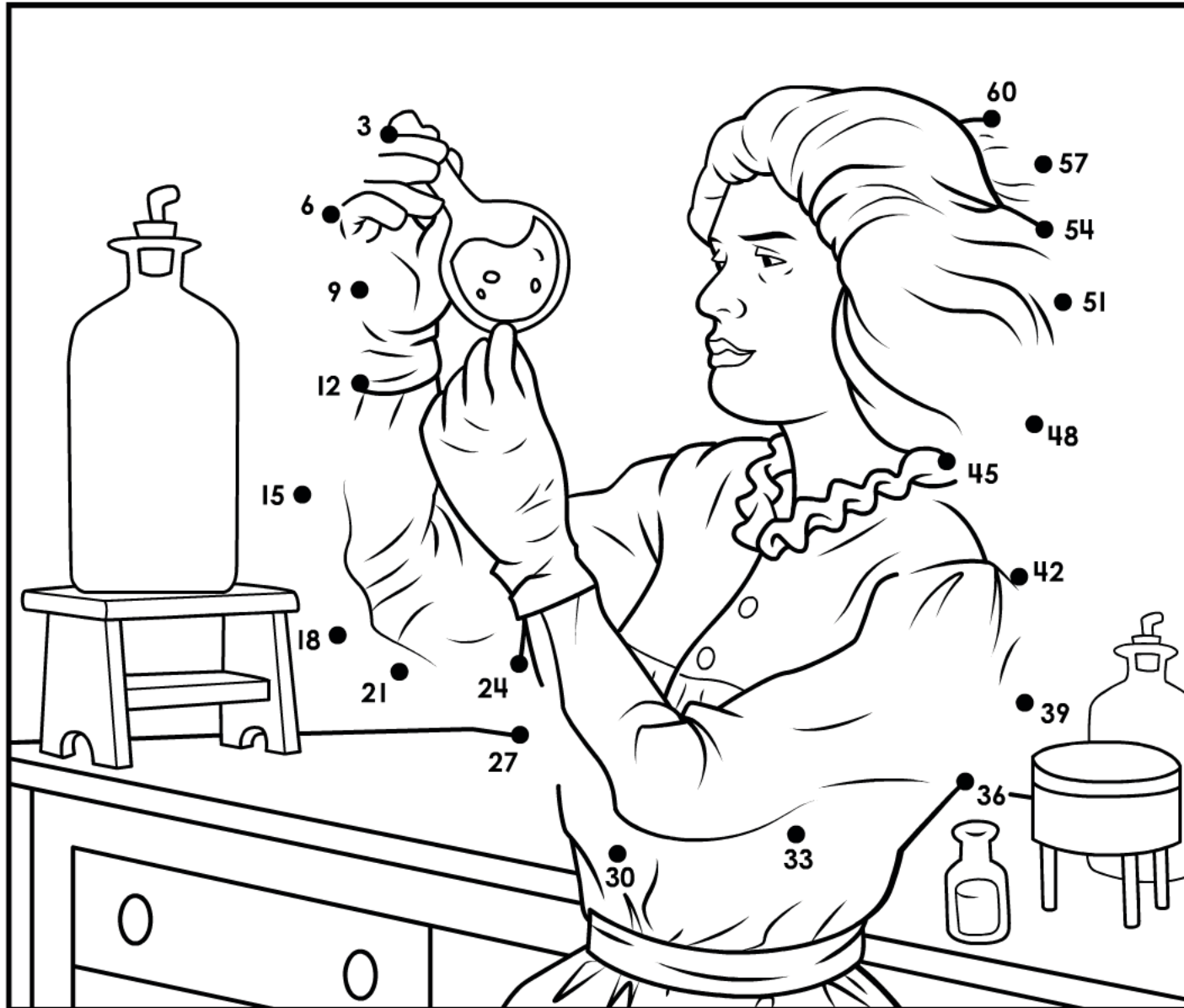
Counting by 3s from 3-60: Marvin the Magician



Name _____

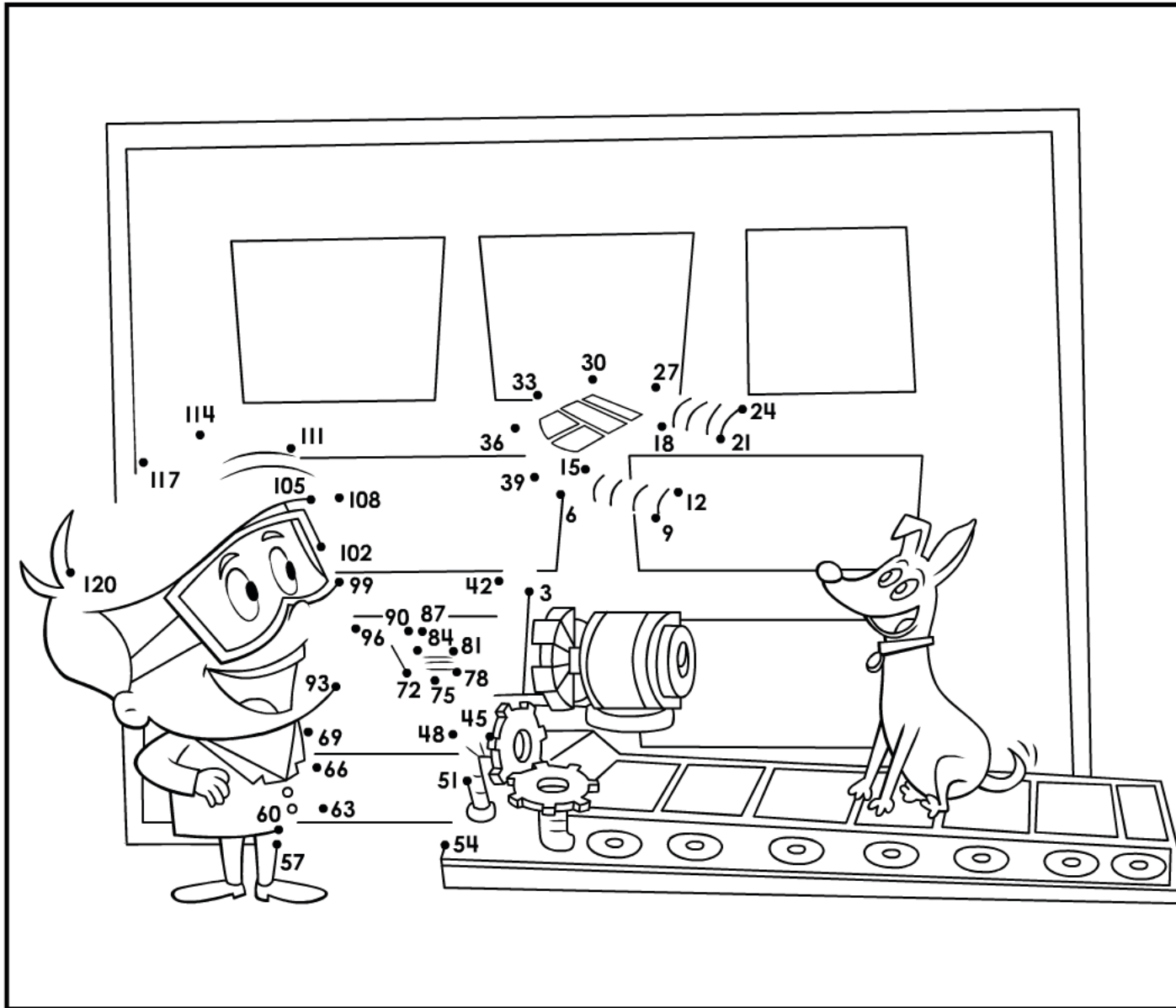
Numbers Dot-to-Dot

Counting by 3s from 3–60: Marie Curie



Name _____

Numbers Dot-to-Dot
Counting by 3s from 3-120: Ivan



Name _____

Paint-By-Numbers
Counting by 3s: superhero
Challenge Level



Color Key

- 3:** light blue
- 6:** green
- 9:** yellow
- 12:** brown
- 15:** peach
- 18:** dark red
- 21:** red
- 24:** blue
- 27:** gray
- 30:** light green

Name _____

Paint-By-Numbers
Counting by 3s: superhero
Super Challenge Level



Color Key

- 3:** light blue
- 6:** green
- 9:** yellow
- 12:** brown
- 15:** peach
- 18:** dark red
- 21:** red
- 24:** blue
- 27:** gray
- 30:** light green